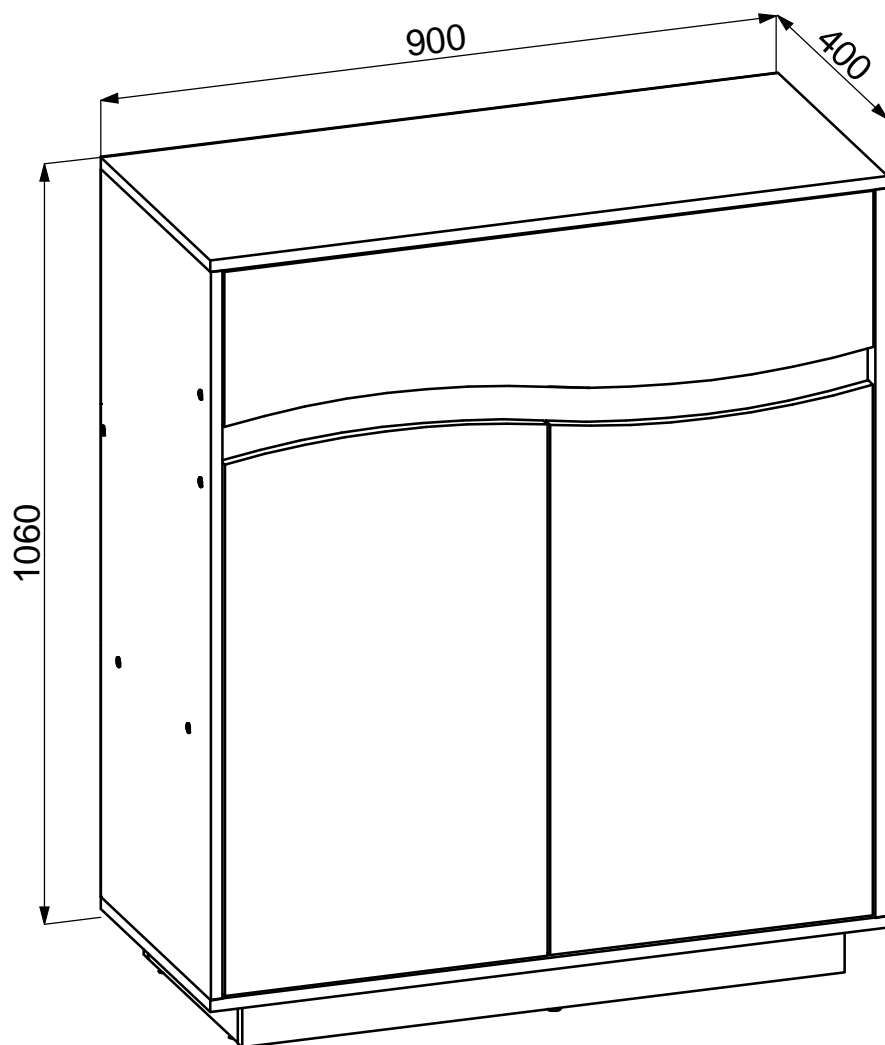
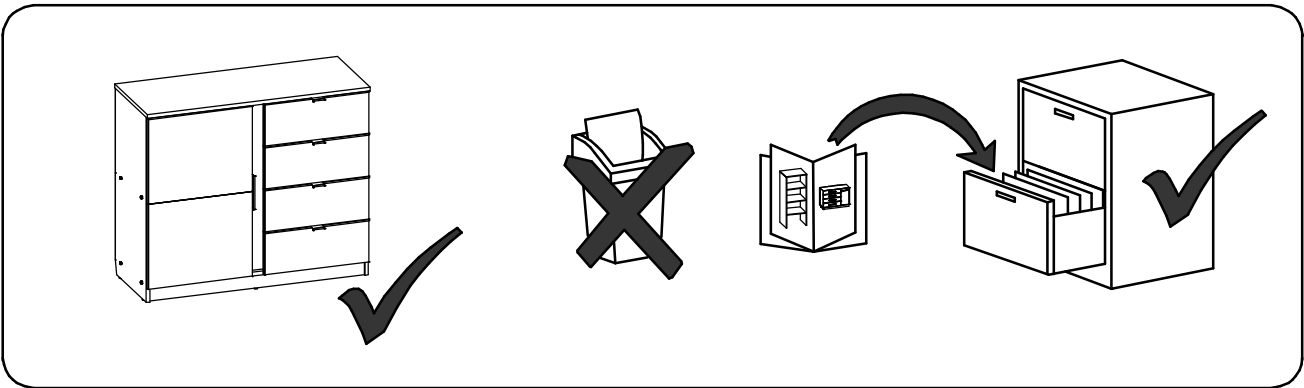
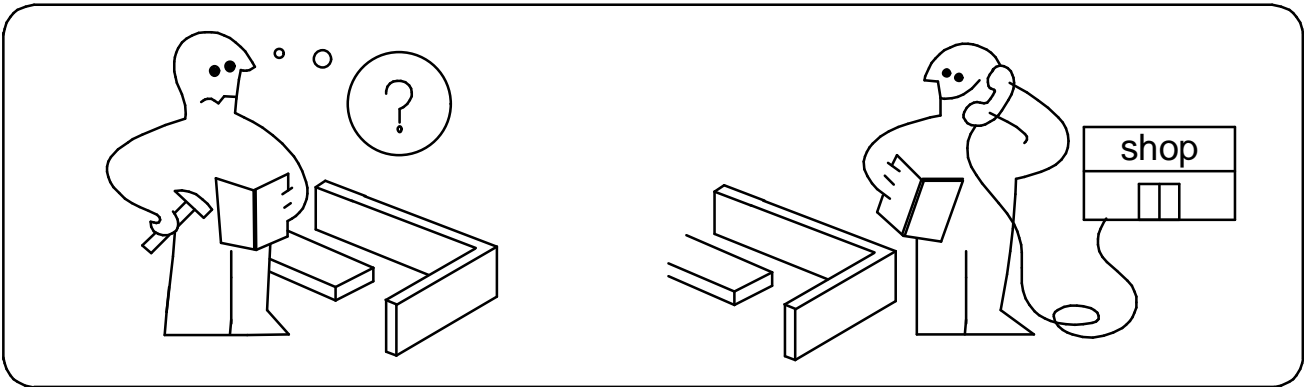
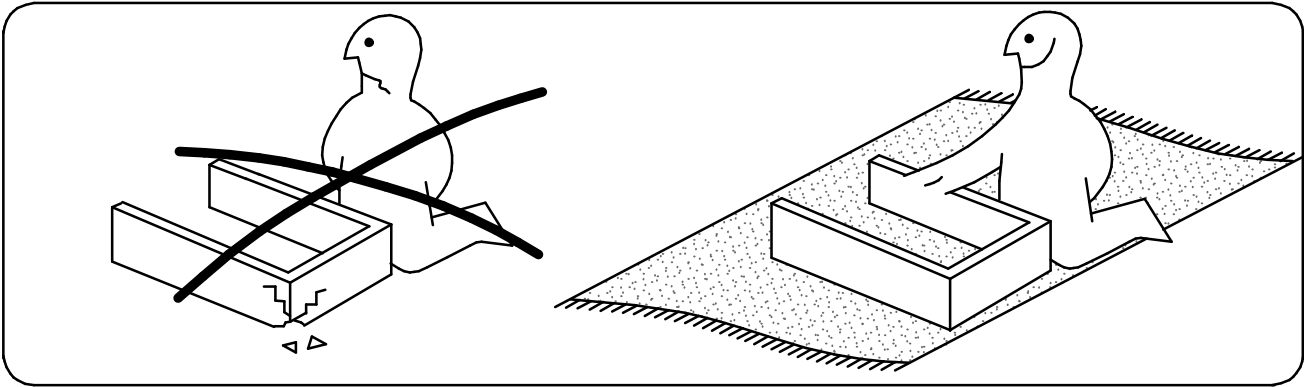
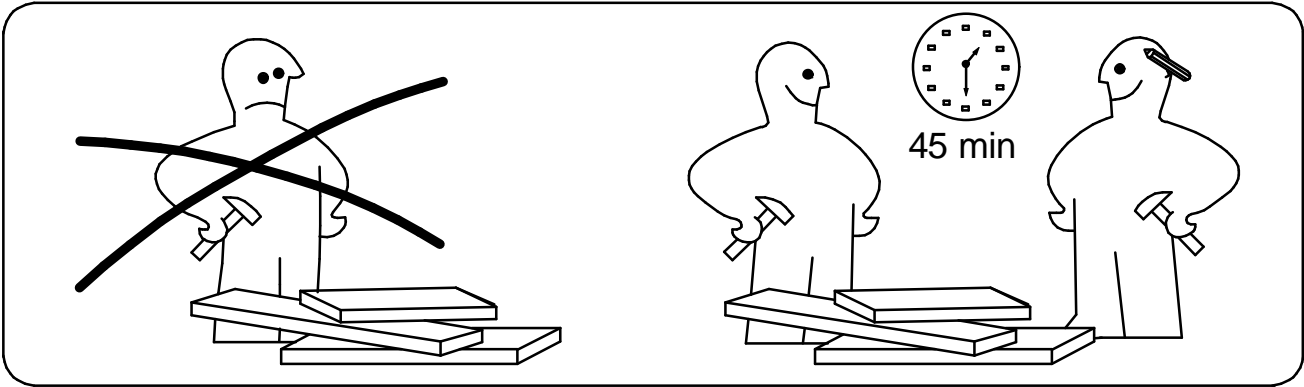
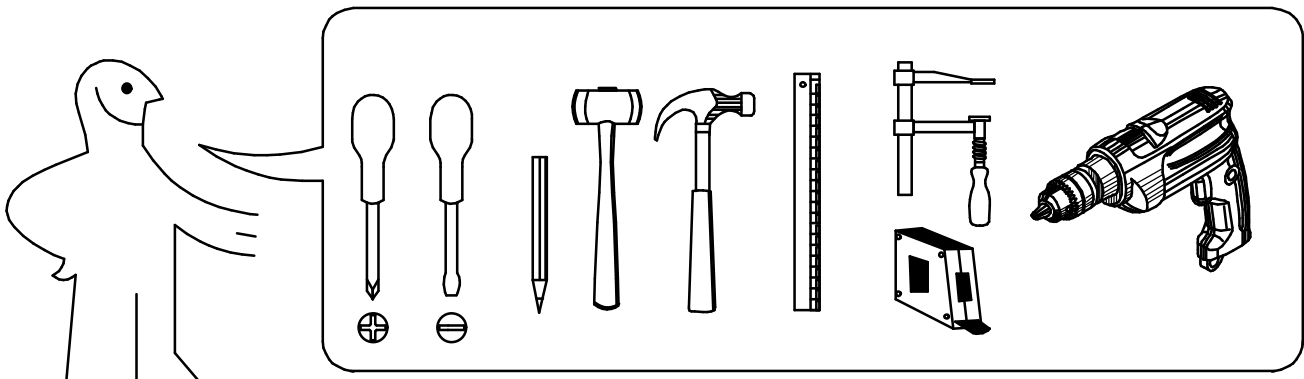
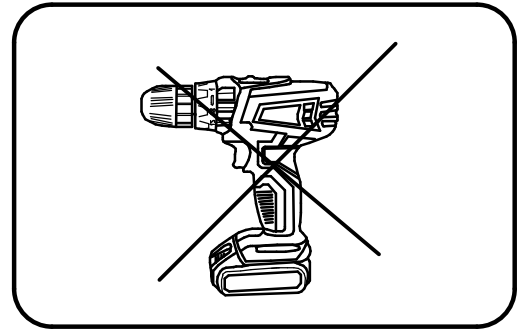
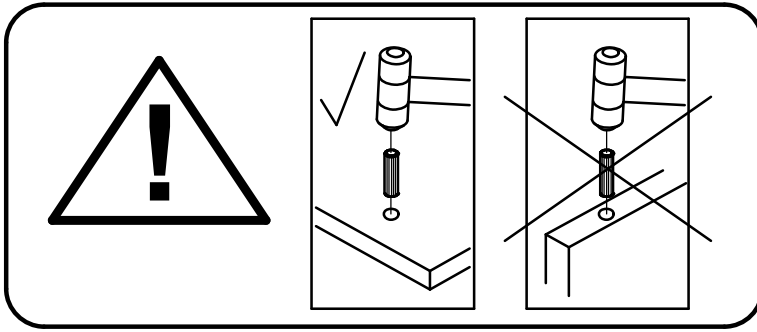






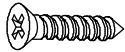

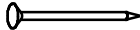
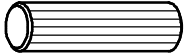
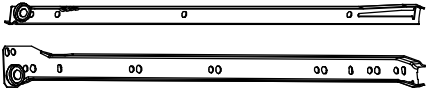
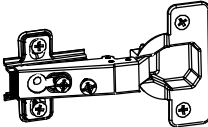




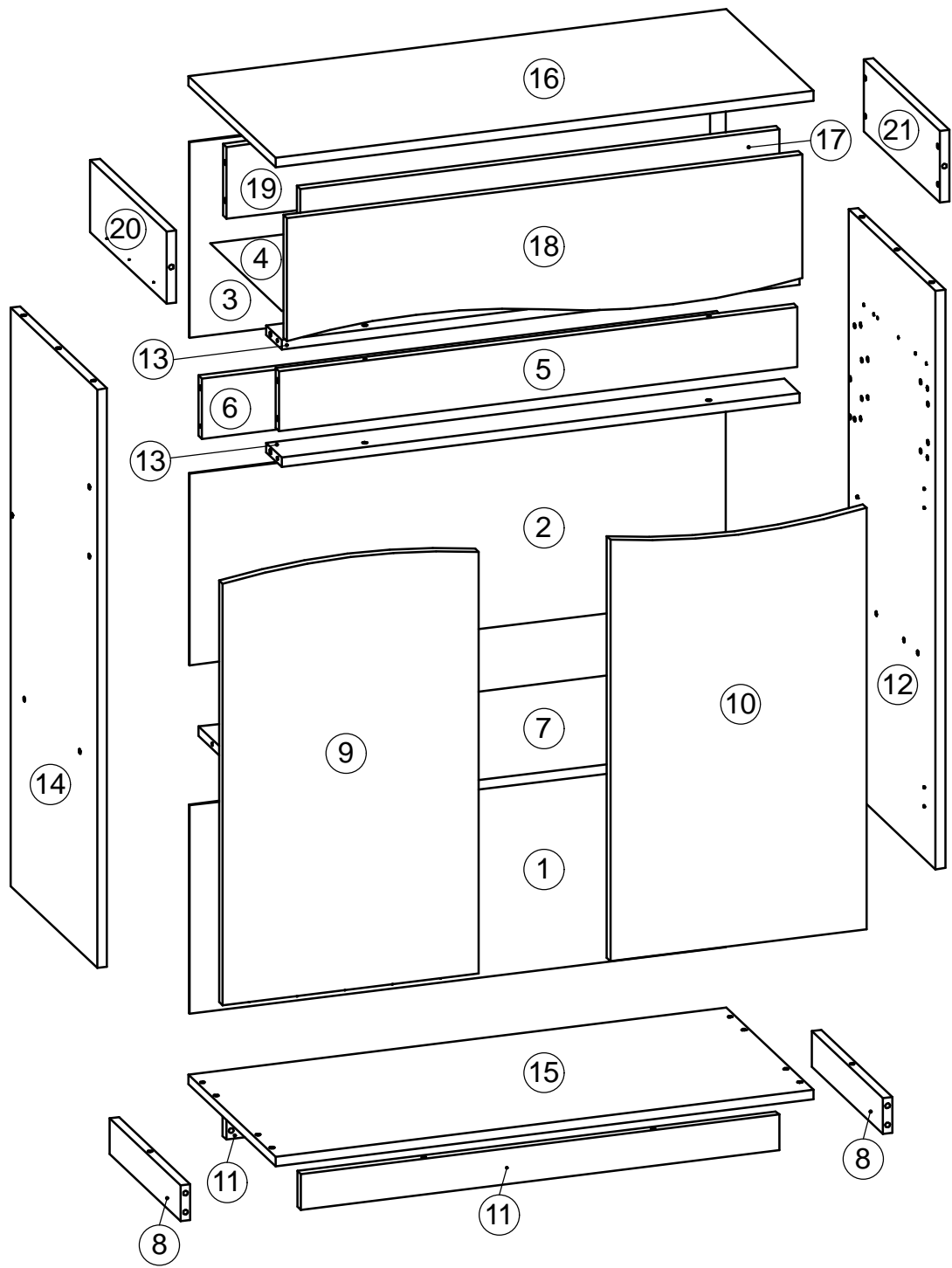
Скрин Виела 1





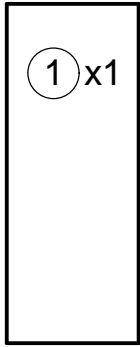


 Ø6,3x50 mm A1 x 18	 Ø12 mm A2 x 18	 4 mm A3 x 1	 Ø12x3 mm C x 6	 Ø3x16 mm D1 x 6
 Ø4x16 mm D2 x 22	 Ø4x20 mm D3 x 6	 Ø4x30 mm D4x 2	 Ø1,6x25 mm F x 128	 Ø8x36 mm G x 48
 K x 1		 M x 4	 Ø15 mm N x 6	 50g R x 1



Box 1/2

349x898x3 mm



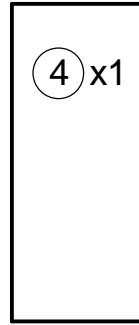
321x898x3 mm



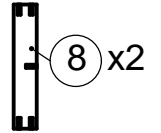
328x898x3 mm



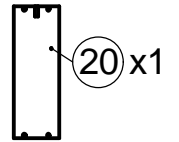
348x840x3 mm



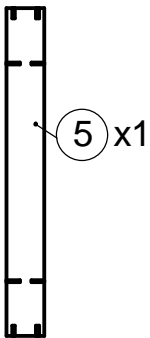
60x328x16 mm



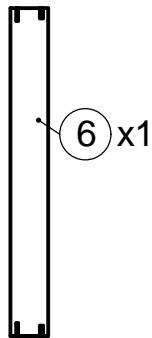
120x350x16 mm



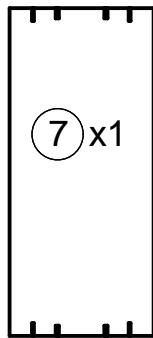
100x868x16 mm



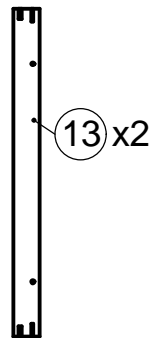
100x868x16 mm



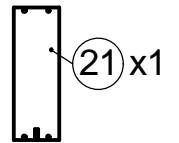
382x868x16 mm



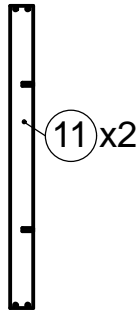
70x868x16 mm



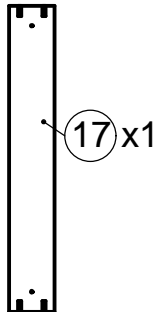
120x350x16 mm



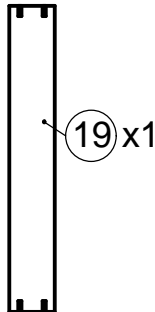
60x800x16 mm



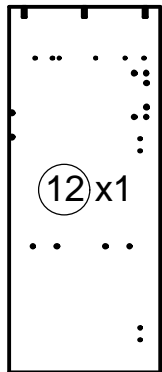
120x810x16 mm



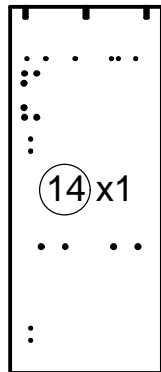
120x810x16 mm



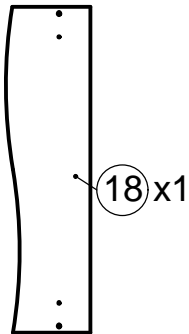
400x968x16 mm



400x968x16 mm

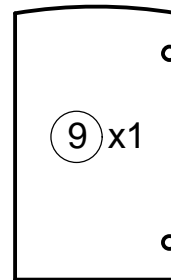


223x863x16 mm

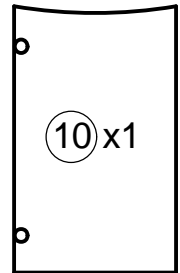


Box 2/2

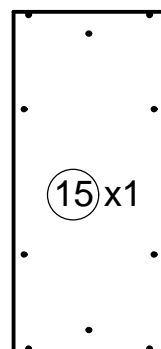
428x724x16 mm



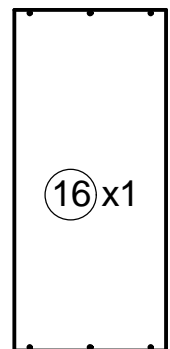
428x705x16 mm



400x900x16 mm



400x900x16 mm



Fittings & Tools

1



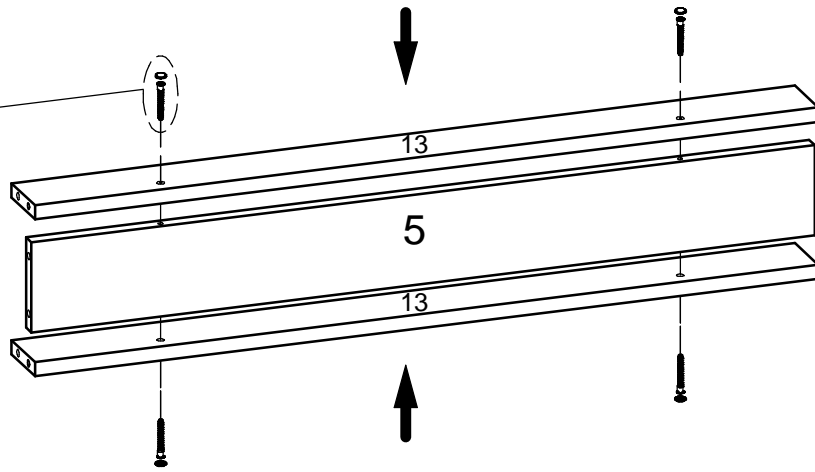
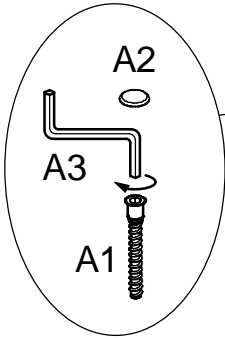
A1 x 4



A2 x 4



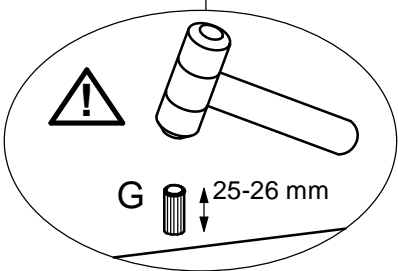
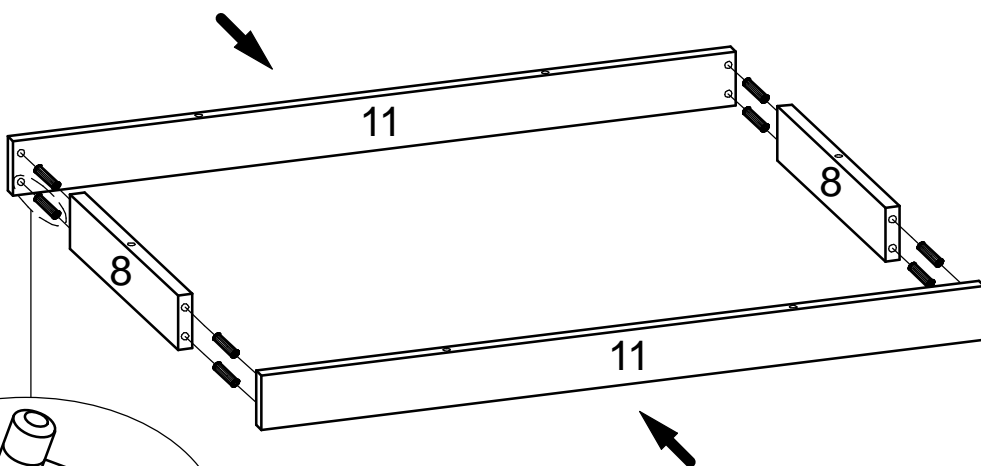
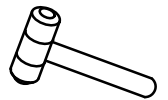
A3 x 1



2



G x 8



3



A1 x 10



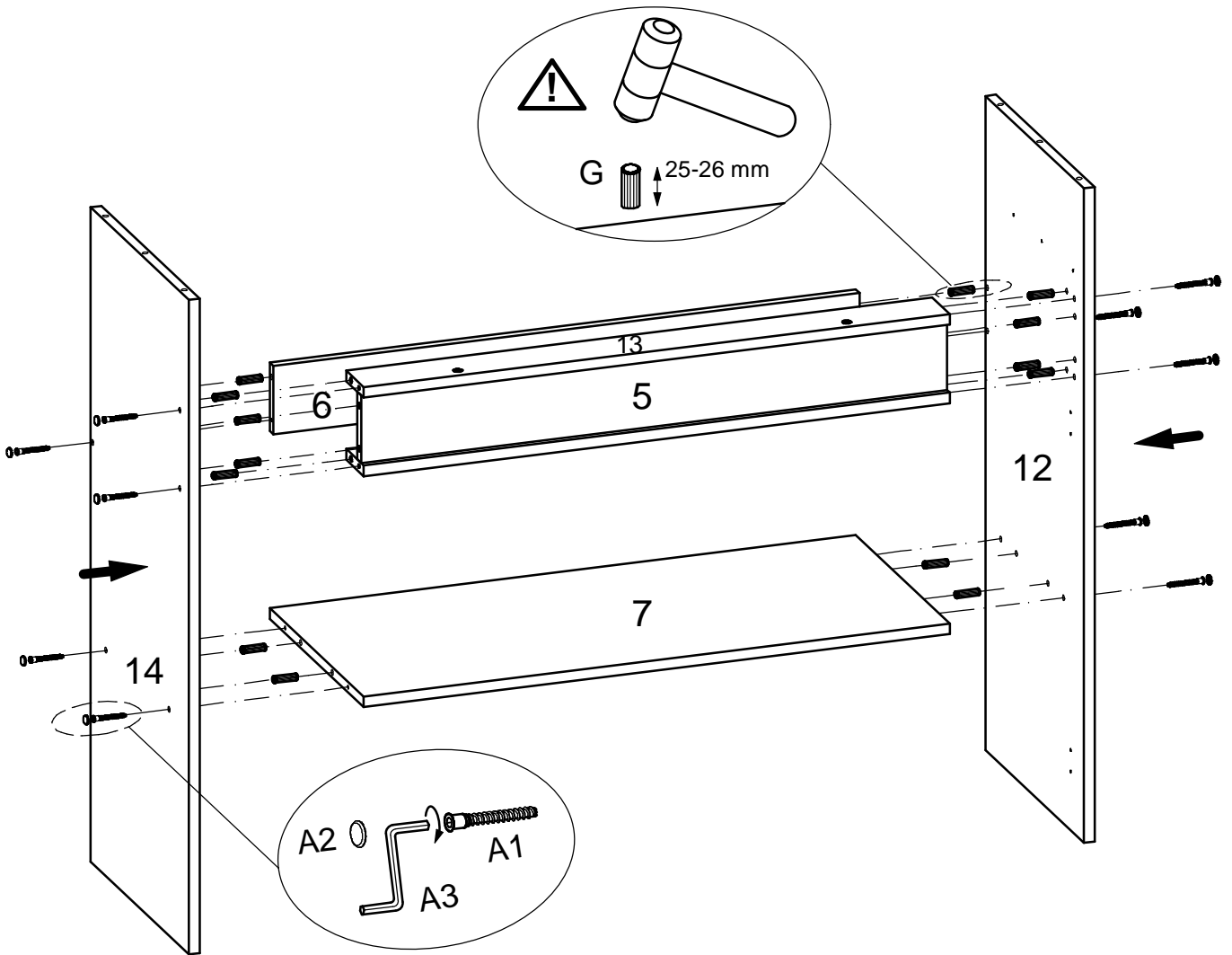
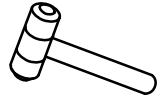
A2 x 10



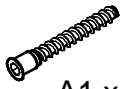
A3 x 1



G x 14



4



A1 x 4



A2 x 4



A3 x 1



D1 x 6



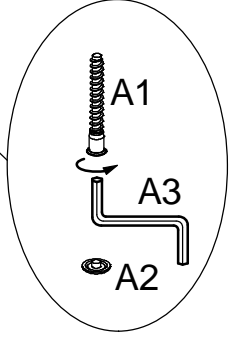
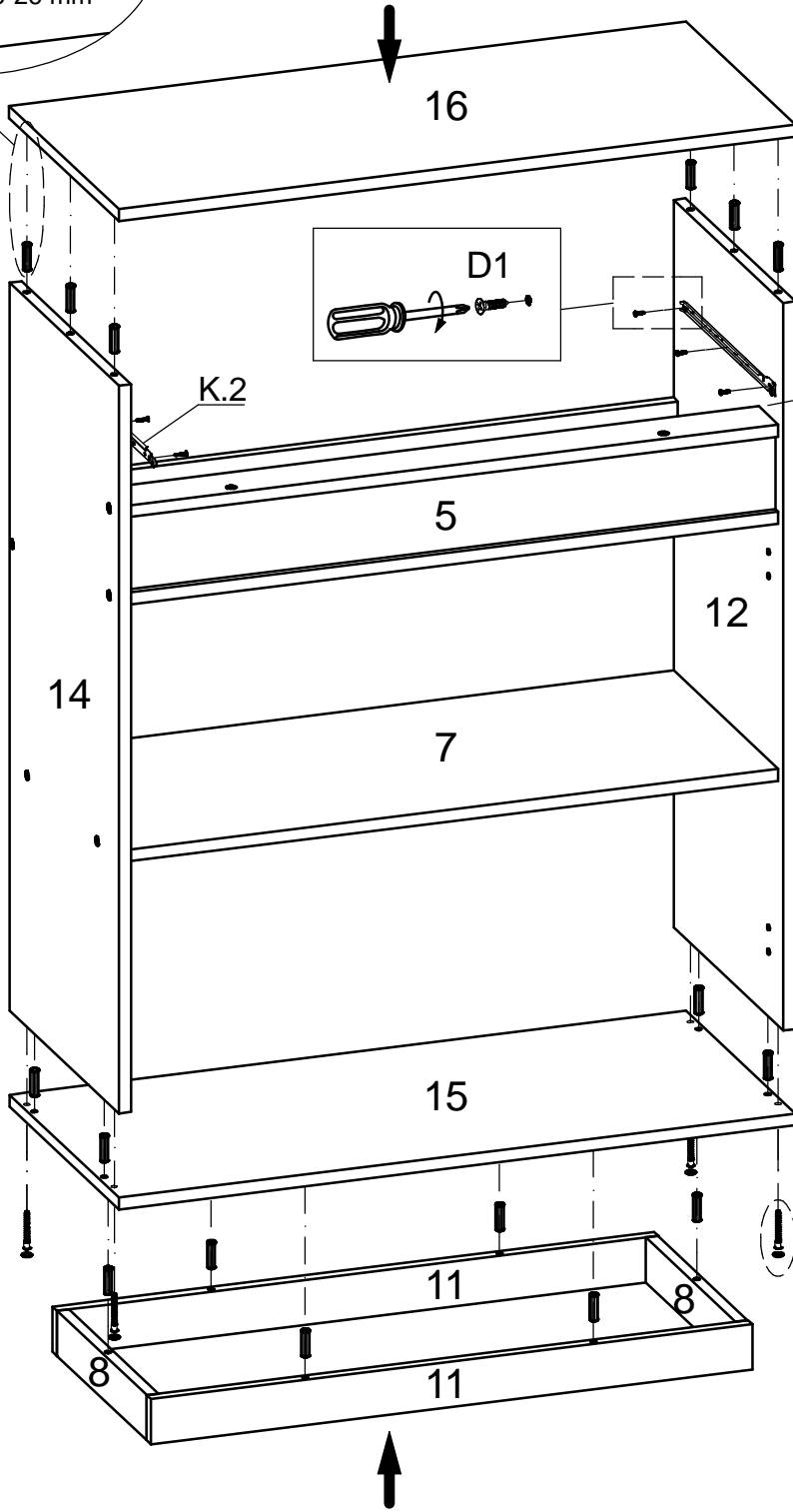
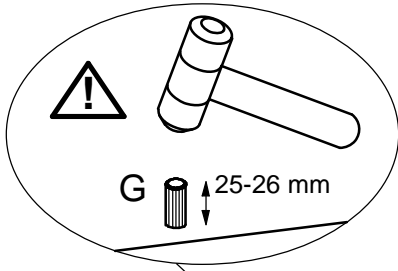
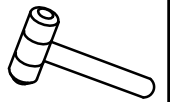
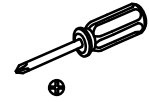
K.1 x 1



K.2 x 1

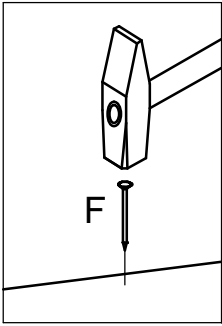
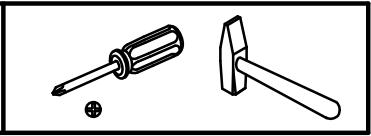


G x 16

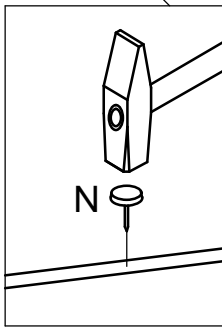
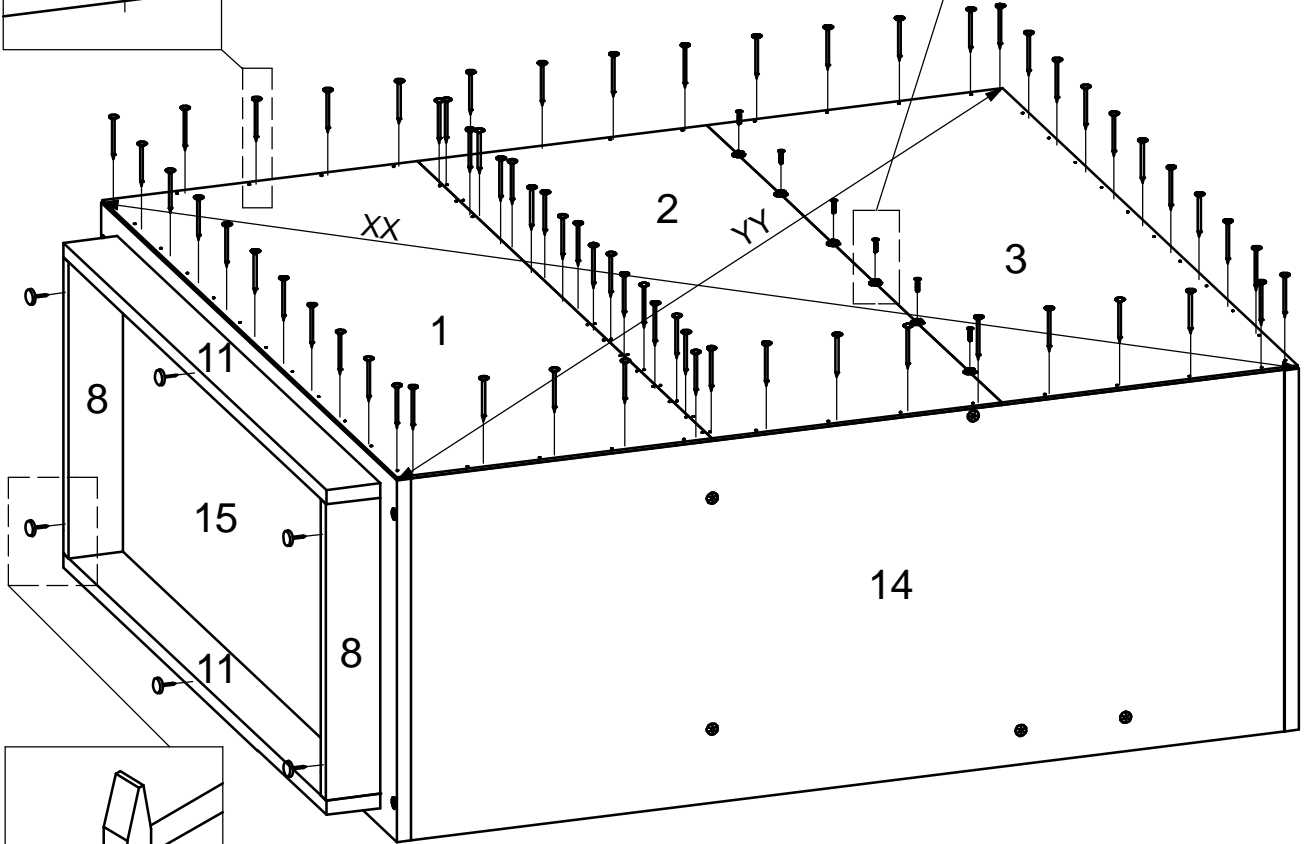
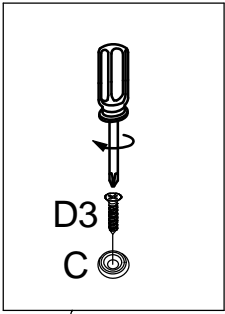


5

C x 6 D3 x 6 F x 72 N x 6



⚠ XX=YY≅90°



6



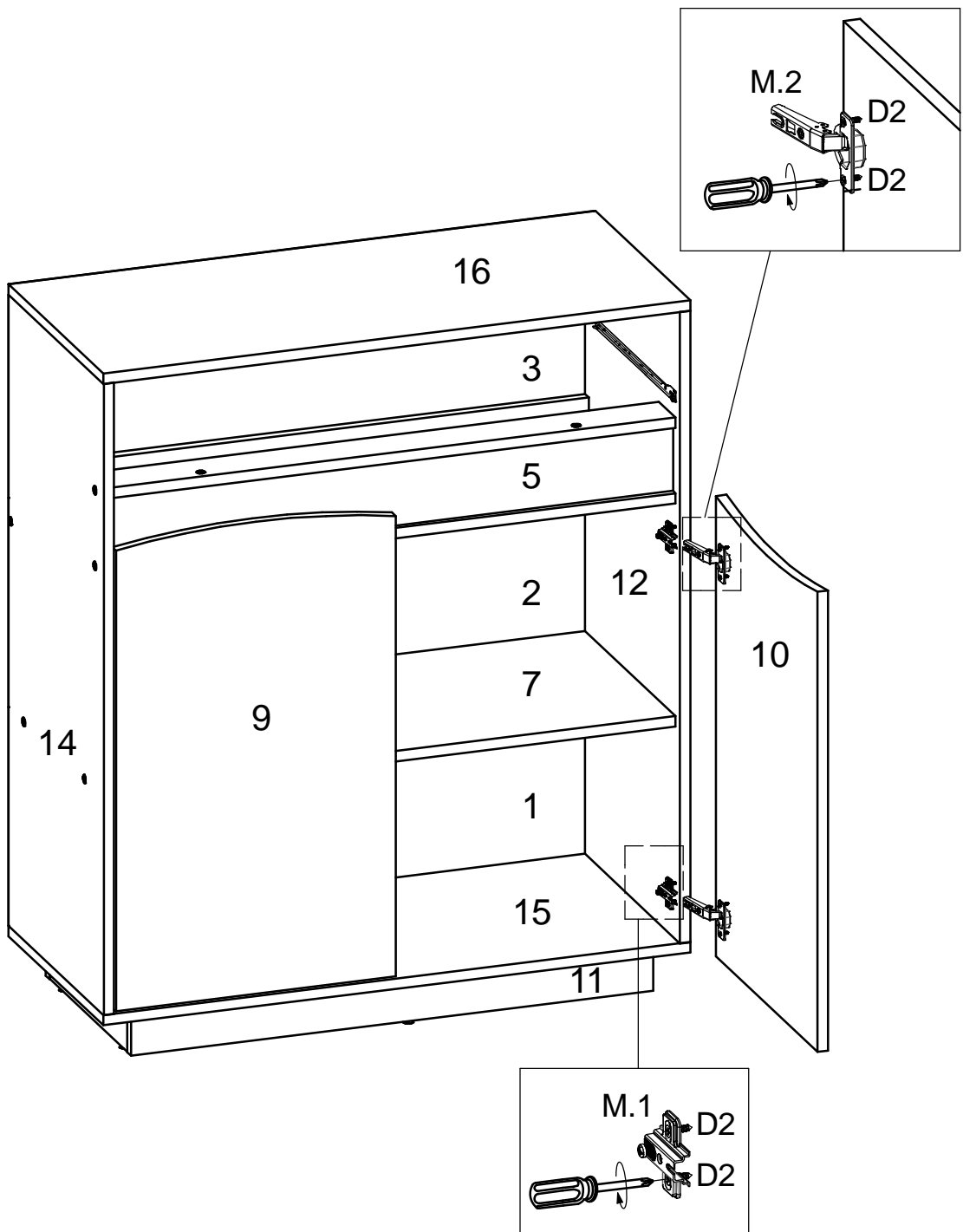
D2 x 16



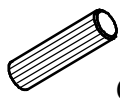
M.1 x 4



M.2 x 4



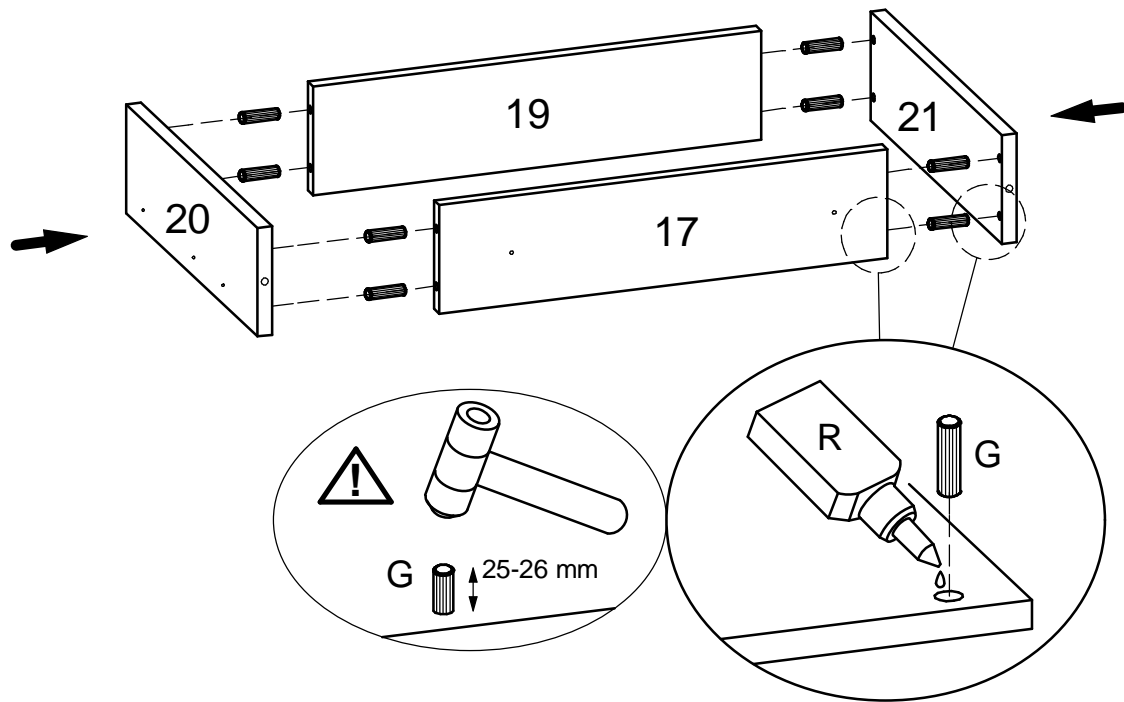
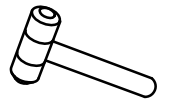
7



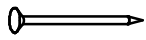
G x 8



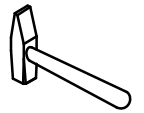
R x 1



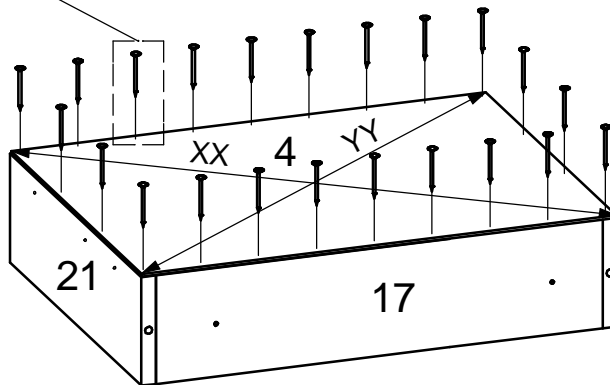
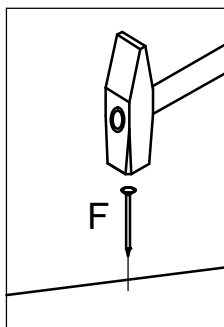
8



F x 56



⚠ XX=YY≅90°



9



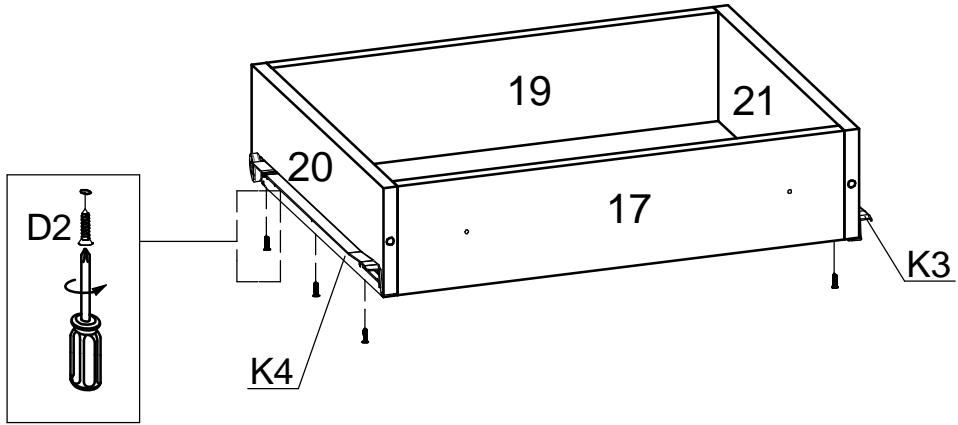
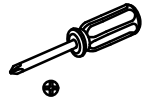
D2 x 6



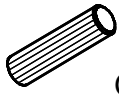
K.3 x 1



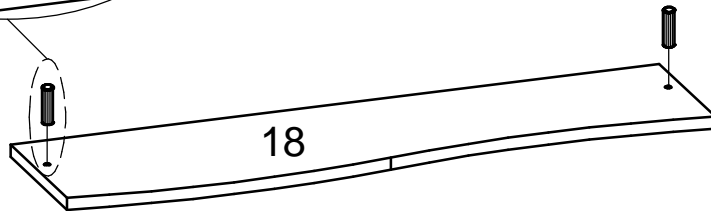
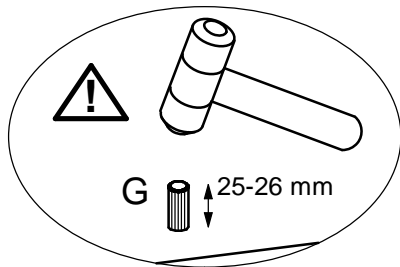
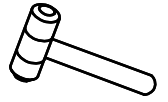
K.4 x 1



10



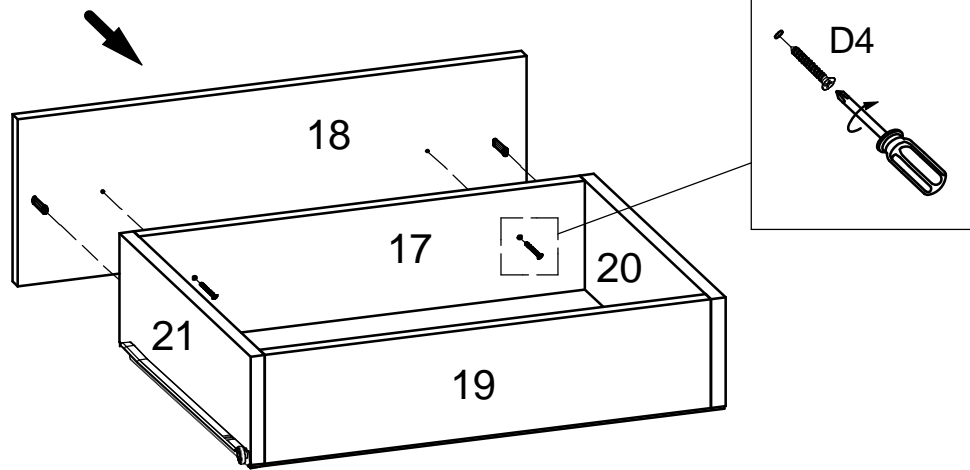
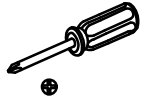
G x 2



11



D4 x 2



12

